

FUMAGALLI HI-TECH



New Range



 **Fumagalli Componenti**

PARIS | LONDON | NEW YORK | WIEN | MILAN | ROME | VENICE

www.fumagallidryers.com



ECOLOGICAL WARM AIR HAND DRYER FOR ENERGY SAVINGS



FM09 A

FM09 A (b)

FUMAGALLI HI-TECH

4th generation hand dryer

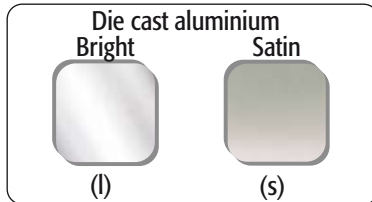
Hand dryer featuring a new technology: it offers improved performances, pleasant drying and the possibility of personalized regulation of main parameters. Further benefit is reduction of energy consumption and maintenance costs.

Eco-friendly and 98% recyclable, it is totally renewable thanks to the new patented "LEM" system.

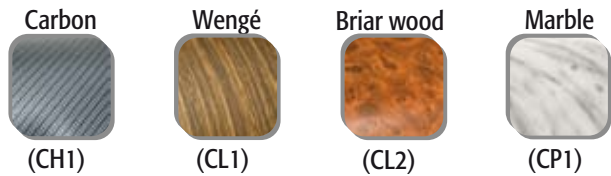
New exclusive and deluxe finishings from Collection range enrich the dryer design.

White enamelled finishing with antimicrobial treatment (silver ions)

Available finishings



Range *Collection* (special finishings)



Fast drying
Reduction of drying time*



Savings
Reduction of energy and maintenance*



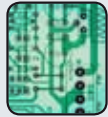
Eco-Life-Program
Easily renewable for longer life



LEM System
Long Life Easy Maintenance (patented system)



New motor
With thermal protection



Intelligent electronic heart
Automatic control of main parameters



Temperature Adjustable



Made in Italy
Italian design and technology



Thief and Vandal proof
Thanks to special screws and to the compact and sturdy structure



Test certificate
Every dryer is supplied with test certificate



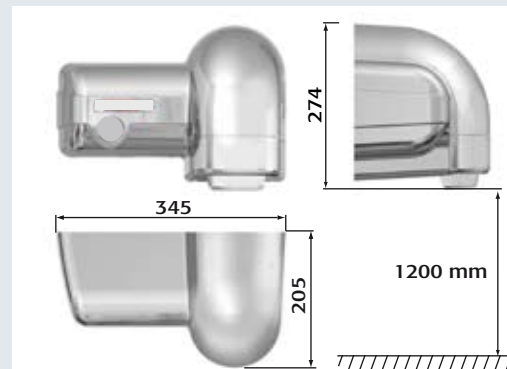
Eco friendly
Totally recyclable

* Compared to traditional dryers

Technical details

Dimensions

Functioning	Photocell
Body material	Die cast aluminium
Net weight	4,8 kg
Supply voltage	220/240 V
Main frequency	50/60 Hz
Absorption	From 750 W to 2450 W
Air temperature	Adjustable
Ingress protection level	IP23
Electrical protection level	Class I



Fumagalli Componenti reserves the right to modify the products without notice. Reproduction of photos and/or logos without authorisation is illegal and strictly prohibited. For special options ask for specific offer conditions.